

# ZGSM-GCD120H

Introducing a New Premium Experience

250W HID Replacement



Dimming functions are supported by optional  
 † Three in One (1-10V DC or PWM Signal or Resistance)  
 † Timer - Contact ZGSM for Details

## Specifications

### Electrical Specifications:

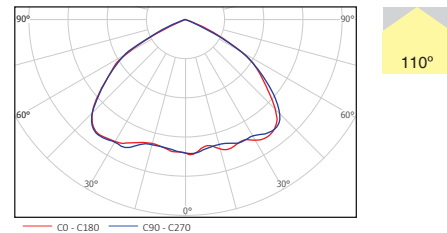
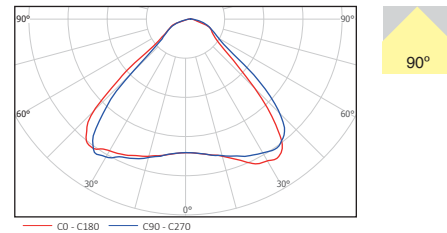
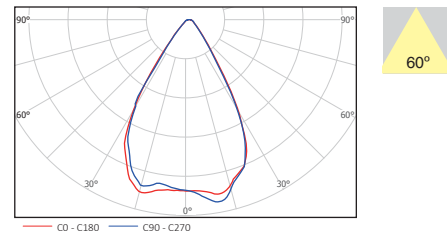
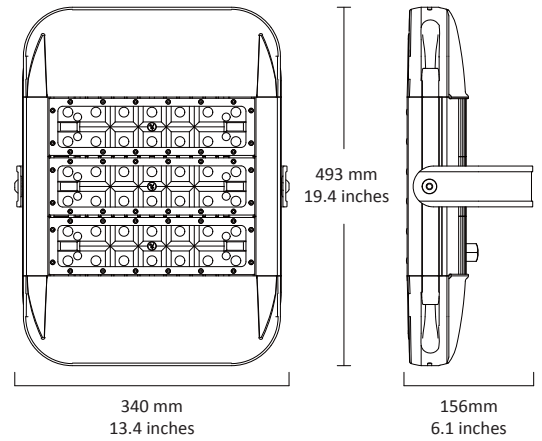
Model No.	ZGSM-GCD120H
Nominal Wattage	120W
Nominal Voltage	AC 100-240V /277V, 50/60Hz DC /
Maximum Current	AC 1.23A -120V, 0.62A -240V, 0.53A -277V DC /
Operating Temperature	-40 °C to +50 °C
Power Factor (PF)	> 0.9
Driver Efficiency	> 90%

### Photometric Specifications:

Lumen Output	11400 lm (+/- 5%)
Photometric Type	60°   90°   110°
CRI	Minimum 70 CRI
CCT	<div style="display: flex; gap: 10px;"> <div style="border: 1px solid black; border-radius: 50%; padding: 2px 5px;">4000K</div> <div style="border: 1px solid black; border-radius: 50%; padding: 2px 5px;">5000K</div> <div style="border: 1px solid black; border-radius: 50%; padding: 2px 5px;">5700K</div> </div>

### Mechanical Specifications:

Ratings	IP65, IK08
Lumen Maintenance	> 60,000 hours -L70(9K), @25 °C (77 °F)
Heat Radiator	Anodized Aluminum
Lens	PC
Fixture Dimension	439 x340 x156 mm 19.4 x13.4 x6.1 inches
Fixture Weight	5.2 kg /11.5 lbs



### Packing Type

1 unit(s) /ctn.

### Packing Dimension

485 x365 x160 mm  
19.1 x14.4 x6.3 inches

### Packing Weight

6.1 kg /13.4 lbs



CE RoHS CB

www.zgsm-china.com

