

# ZGSM-GCD40H

Introducing a New Premium Experience

70W HID Replacement



Dimming functions are supported by optional  
 † Three in One (1-10V DC or PWM Signal or Resistance)  
 † Timer - Contact ZGSM for Details

## Specifications

### Electrical Specifications:

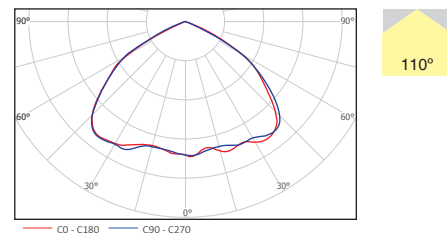
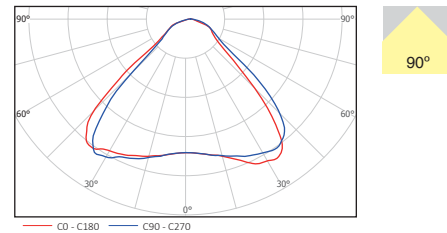
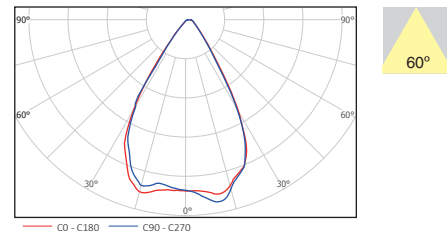
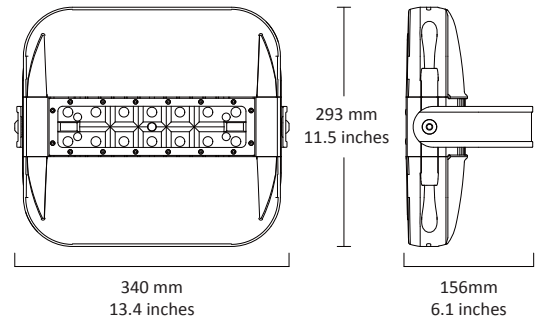
Model No.	ZGSM-GCD40H
Nominal Wattage	40W
Nominal Voltage	AC 100-240V /277V, 50/60Hz DC /
Maximum Current	AC 0.41A -120V, 0.21A -240V, 0.18A -277V DC /
Operating Temperature	-40 °C to +50 °C
Power Factor (PF)	> 0.9
Driver Efficiency	> 90%

### Photometric Specifications:

Lumen Output	3800 lm (+/- 5%)
Photometric Type	60°   90°   110°
CRI	Minimum 70 CRI
CCT	<div style="display: flex; gap: 10px;"> <div style="border: 1px solid black; border-radius: 50%; padding: 2px 5px; background-color: #f4a460;">4000K</div> <div style="border: 1px solid black; border-radius: 50%; padding: 2px 5px; background-color: #f4a460;">5000K</div> <div style="border: 1px solid black; border-radius: 50%; padding: 2px 5px; background-color: #f4a460;">5700K</div> </div>

### Mechanical Specifications:

Ratings	IP65, IK08
Lumen Maintenance	> 60,000 hours -L70(9K), @25 °C (77 °F)
Heat Radiator	Anodized Aluminum
Lens	PC
Fixture Dimension	293 x340 x156 mm 11.5 x13.4 x6.1 inches
Fixture Weight	3.1 kg /6.8 lbs



### Packing Type

1 unit(s) /ctn.

### Packing Dimension

345 x365 x160 mm  
13.6 x14.4 x6.3 inches

### Packing Weight

3.9 kg /8.6 lbs



CE RoHS CB

www.zgsm-china.com

