

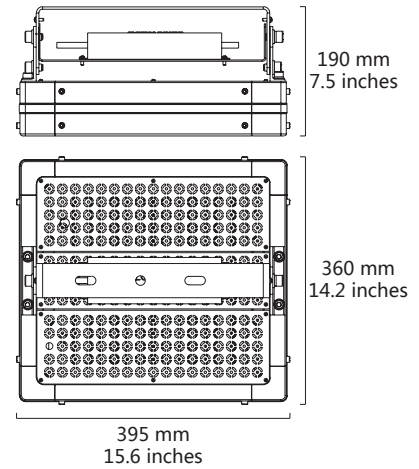
ZGSM-LGCD90WE

High Performance Surface Mounted LED High Bay Light

150W HID Replacement



Dimming functions are supported by optional
 † Three in One (1-10V DC or PWM Signal or Resistance)
 † Timer - Contact ZGSM for Details



Specifications

Electrical Specifications:

Model No.	ZGSM-LGCD90WE
Nominal Wattage	100W
Nominal Voltage	AC 100-240V, 50/60Hz DC /
Maximum Current	AC 1.03A -120V, 0.51A -240V DC /
Optimal Operating Temperature	-40 °C to +50 °C
Power Factor (PF)	> 0.9
Driver Efficiency	> 90%

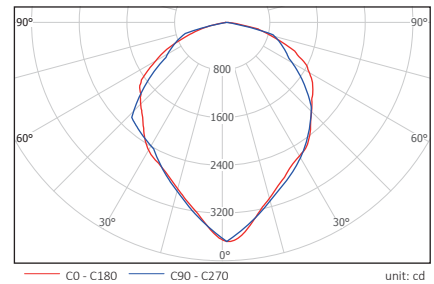
Photometric Specifications:

Lumen Output	[†] Lumen tolerance +/- 5%
3000-4500K	9000 lm
5000-6500K	9500 lm
CRI	Ra >= 75
CCT	

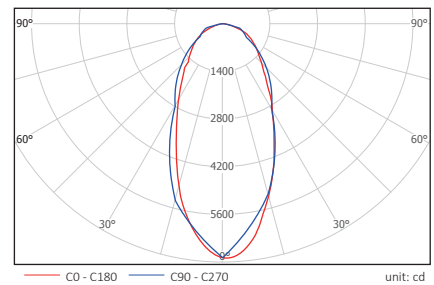
Mechanical Specifications:

IP Rating	IP65
Lifetime	50000 hours
Heat Radiator	Anodized Aluminum
Lens	Clear PC
Fixture Dimension	395 x360 x190 mm 15.6 x14.2 x7.5 inches
Fixture Weight	7.8 kg /17.2 lbs

120°



60°



*Photometric data based on 6000-6500K color temperature.

Packing Type

1unit(s) /ctn.

Packing Dimension

445 x410 x220 mm
17.5 x16.1 x8.7 inches

Packing Weight

9.2 kg /20.3 lbs



www.zgsm-china.com

