

ZGSM-LGCD60WE

High Performance Surface Mounted LED High Bay Light

100W HID Replacement




Dimming functions are supported by optional
 † Three in One (1-10V DC or PWM Signal or Resistance)
 † Timer - Contact ZGSM for Details

Specifications

Electrical Specifications:

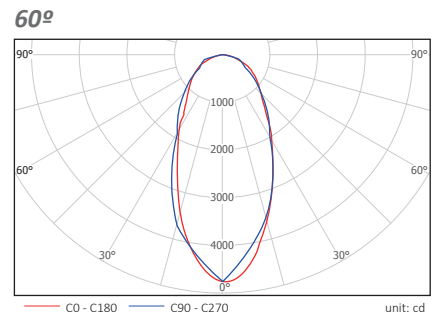
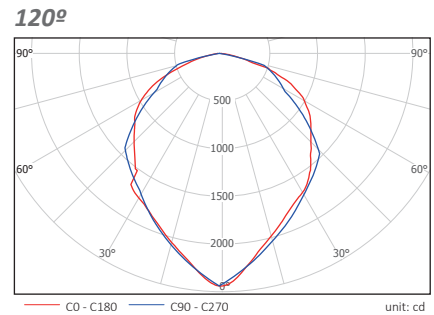
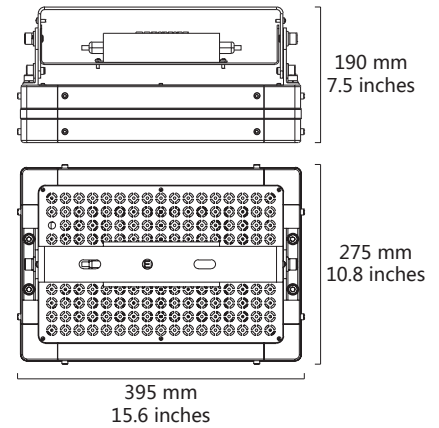
Model No.	ZGSM-LGCD60WE
Nominal Wattage	65W
Nominal Voltage	AC 100-240V, 50/60Hz DC /
Maximum Current	AC 0.67A -120V, 0.33A -240V DC /
Optimal Operating Temperature	-40 °C to +50 °C
Power Factor (PF)	> 0.9
Driver Efficiency	> 90%

Photometric Specifications:

Lumen Output	†Lumen tolerance +/- 5%
3000-4500K	5850 lm
5000-6500K	6175 lm
CRI	Ra >= 75
CCT	

Mechanical Specifications:

IP Rating	IP65
Lifetime	50000 hours
Heat Radiator	Anodized Aluminum
Lens	Clear PC
Fixture Dimension	395 x275 x190 mm 15.6 x10.8 x7.5 inches
Fixture Weight	5.8 kg /12.8 lbs



*Photometric data based on 6000-6500K color temperature.

Packing Type

1unit(s) /ctn.

Packing Dimension

445 x325 x220 mm
17.5 x12.8 x8.7 inches

Packing Weight

7.0 kg /15.4 lbs



www.zgsm-china.com

