

ZGSM-LQD30WA

Easy Mounting LED Recessed Light with IP65 Rating

70W HID Replacement



Dimming functions are supported by optional
 † Three in One (1-10V DC or PWM Signal or Resistance)
 † Timer - Contact ZGSM for Details

Specifications

Electrical Specifications:

Model No.	ZGSM-LQD30WA
Nominal Wattage	35W
Nominal Voltage	AC 100-240V, 50/60Hz DC /
Maximum Current	AC 0.36A -120V, 0.18A -240V DC /
Optimal Operating Temperature	-40 °C to +50 °C
Power Factor (PF)	> 0.9
Driver Efficiency	> 90%

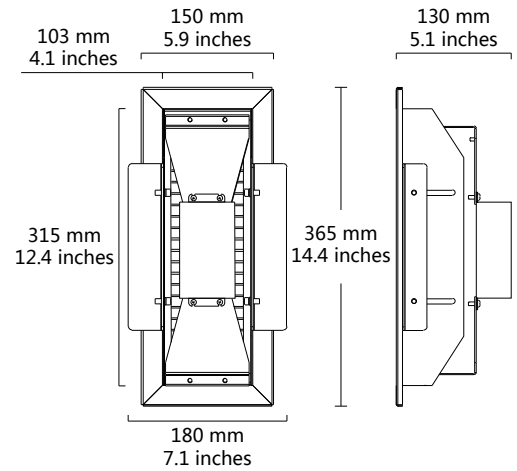
Photometric Specifications:

Lumen Output	†Lumen tolerance +/- 5%
3000-4500K	3150 lm
5000-6500K	3325 lm
CRI	Ra >= 75
CCT	

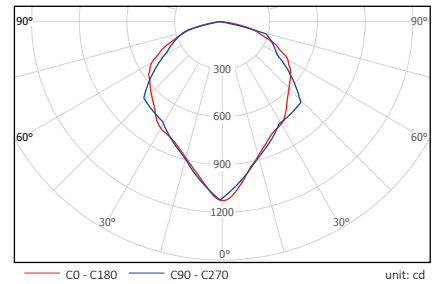


Mechanical Specifications:

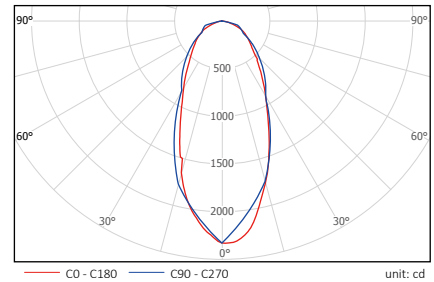
IP Rating	IP65
Lifetime	50000 hours
Heat Radiator	Anodized Aluminum
Lens	Clear PC
Fixture Dimension	365 x180 x130 mm 14.4 x7.1 x5.1 inches
Fixture Weight	3.2 kg /7.1 lbs



120°



60°



*Photometric data based on 6000-6500K color temperature.

Packing Type

1 unit(s) /ctn.

Packing Dimension

415 x200 x195 mm
16.3 x7.9 x7.7 inches

Packing Weight

4.0 kg /8.8 lbs



www.zgsm-china.com

