

ZGSM-LQD120WA

Easy Mounting LED Recessed Light with IP65 Rating

250W HID Replacement



Dimming functions are supported by optional
 † Three in One (1-10V DC or PWM Signal or Resistance)
 † Timer - Contact ZGSM for Details

Specifications

Electrical Specifications:

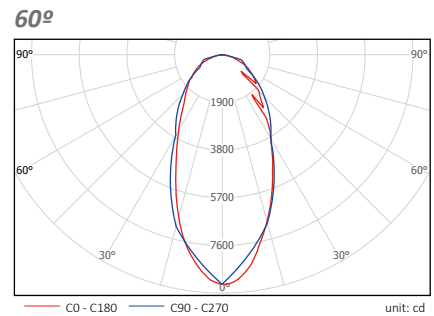
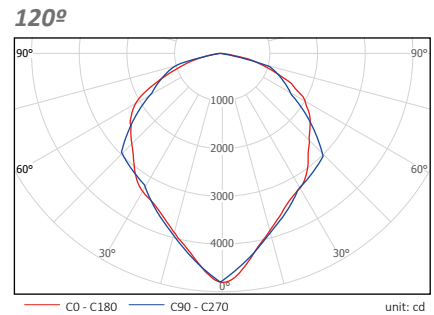
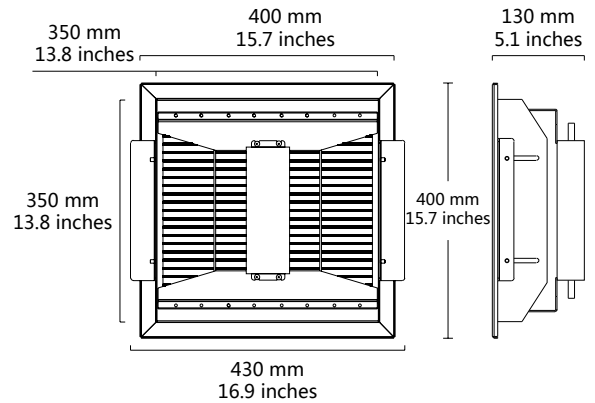
Model No.	ZGSM-LQD120WA
Nominal Wattage	135W
Nominal Voltage	AC 100-240V, 50/60Hz DC /
Maximum Current	AC 1.39A -120V, 0.69A -240V DC /
Optimal Operating Temperature	-40 °C to +50 °C
Power Factor (PF)	> 0.9
Driver Efficiency	> 90%

Photometric Specifications:

Lumen Output	†Lumen tolerance +/- 5%
3000-4500K	12150 lm
5000-6500K	12825 lm
CRI	Ra >= 75
CCT	

Mechanical Specifications:

IP Rating	IP65
Lifetime	50000 hours
Heat Radiator	Anodized Aluminum
Lens	Clear PC
Fixture Dimension	430 x400 x130 mm 16.9 x15.7 x5.1 inches
Fixture Weight	8.4 kg /18.5 lbs



*Photometric data based on 6000-6500K color temperature.

Packing Type

1 unit(s) /ctn.

Packing Dimension

455 x455 x195 mm
17.9 x17.9 x7.7 inches

Packing Weight

10.4 kg /22.9 lbs



www.zgsm-china.com

